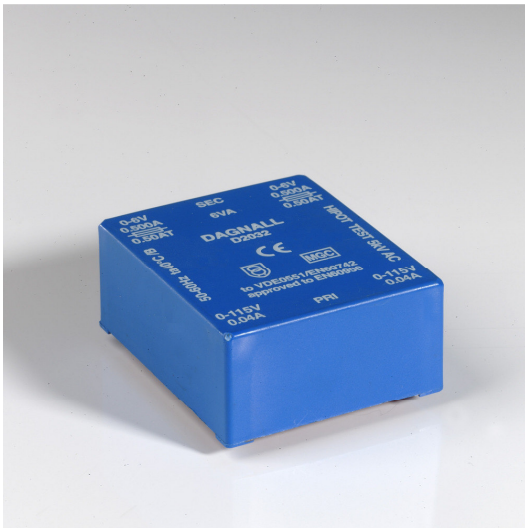


**PRODUCT DATASHEET**

**6VA TRIPLE OUTPUT TRANSFORMER**



Complies with **EN60950**

CE Marked

Dual Primaries

Secondaries of 9V and 14-0-14V ideal for +5V

DC and 12-0-12V DC rails

5KV Isolation between primary and secondary windings.

UL94-V0 Vacuum Encapsulated Construction

Suitable for flow soldering

Weight	0.180	Kg	
Typical Regulation	26	%	
Frequency	50/60	Hz	
Max Ambient	40	°C	
Bobbin Material	UL94-V0	"B" 130 °C	

Part No	Primary	Secondary	Secondary Fuse
D2196	115+115	9v @ 0.14A	0.160AT
		14-0-14 @ 0.110A	0.10AT

Please see sheet 2 for outline drawing and connection information.

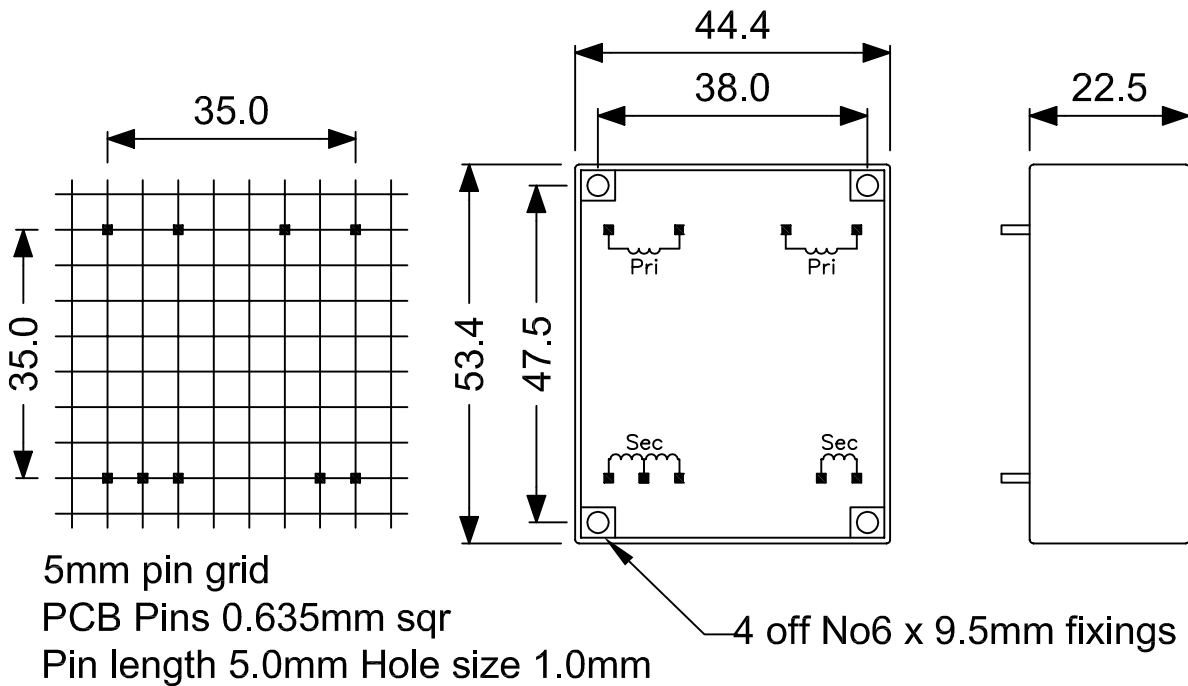
Dagnall Electronics Ltd  
Tel : +44 (0)117 230 2240  
[sales@dagnall.co.uk](mailto:sales@dagnall.co.uk)  
[www.dagnall.co.uk](http://www.dagnall.co.uk)

TRX Electronics Ltd  
Tel : (00356)21 663011  
[info@trxelectronics.com](mailto:info@trxelectronics.com)  
[www.trxelectronics.com](http://www.trxelectronics.com)

**PRODUCT DATASHEET**

**6VA Triple Output**

Outline Drawing



Connection Diagrams for D2196

