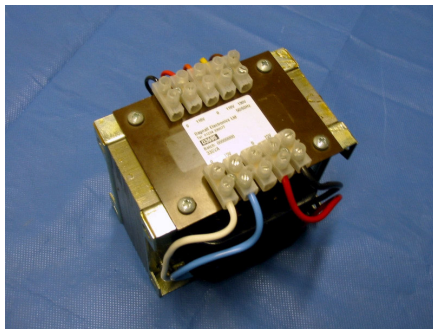


# PRODUCT DATASHEET

## 330VA Chassis MOUNTED TRANSFORMER



Designed, Manufactured and tested in accordance with **BS415**

Dual Primaries, for 110, 220 and 240V Inputs  
4KV Isolation Primary to Secondary.

Connection Via Terminal Blocks.

Weight	5.9	Kg
Typical Regulation	4	%
Frequency	50/60	Hz
Max Ambient	25	°C
Bobbin Material	UL94-HB Class "B" 130°C	

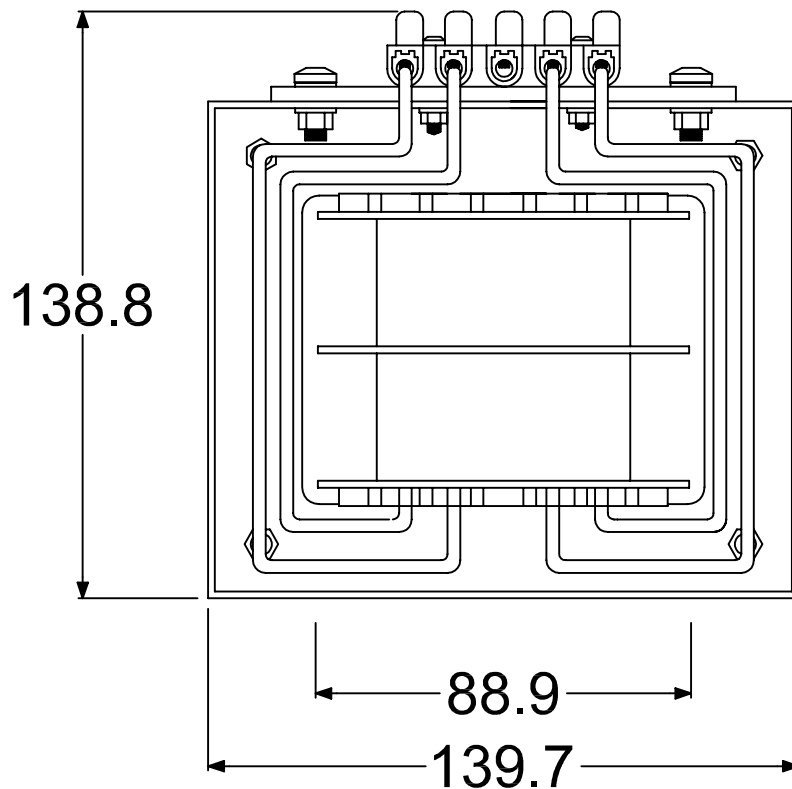
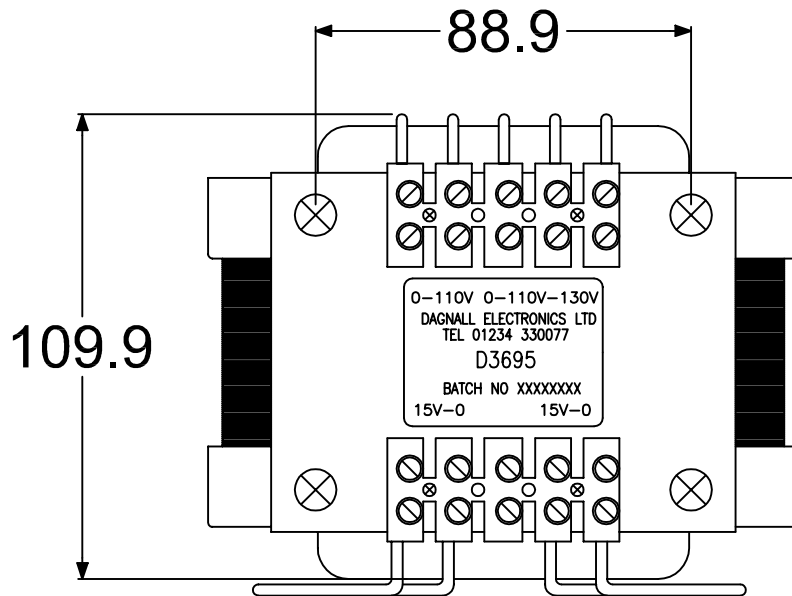
### Part Numbers

Part No	Primary	Secondary	Recommended Secondary Fuse
D3695	0-110 0-110-130V	15+15V	10.0AT
D3696	0-110 0-110-130V	18+18V	10.0AT

Please see sheet 2 for dimensions, pin outs and connection information.

## PRODUCT DATASHEET

### 330VA CHASSIS MOUNTED TRANSFORMER



# PRODUCT DATASHEET

## 330VA CHASSIS MOUNTED TRANSFORMER

### Connection Diagrams for D3695

