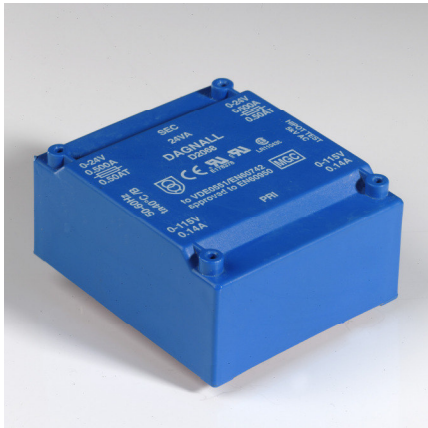


PRODUCT DATASHEET

9VA LOW PROFILE ENCAPSULATED TRANSFORMER



Complies with: **EN60950 UL506 cUL506 & CSA 22.2**

CE Marked

Dual 115V Primaries

Comprehensive choice of secondary voltages

5KV Isolation between primary and secondary windings.

UL94-V0 Vacuum Encapsulated Construction

Suitable for flow soldering

Identical footprint from 2VA to 9VA

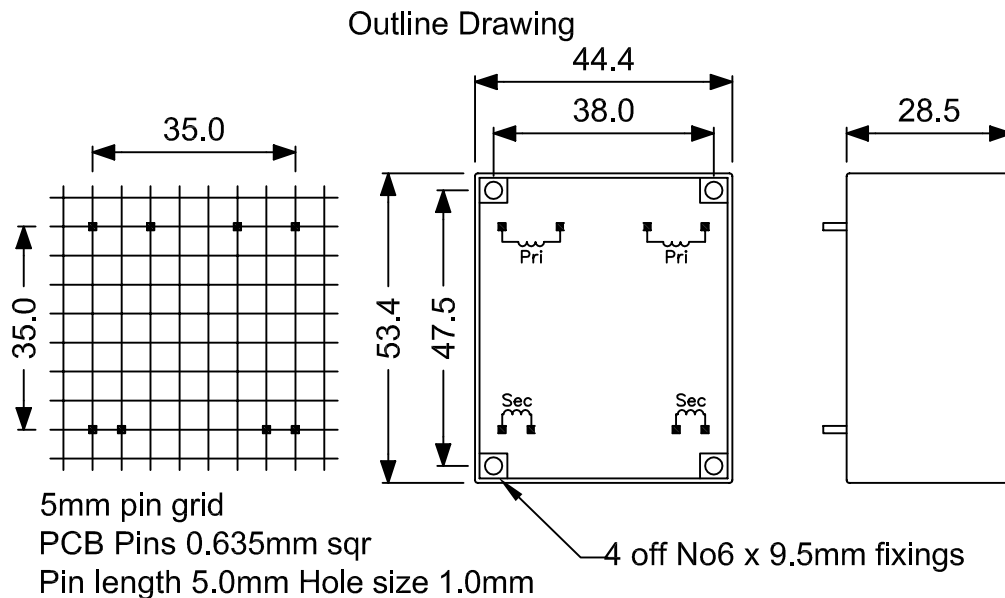
Weight	0.250	Kg	
Typical Regulation	24	%	
Frequency	50/60	Hz	
Max Ambient	40	°C	
Bobbin Material	UL94-V0	"B" 130 °C	

Part No	Primary	Secondary	Reccomended Secondary Fuse
D2201	115+115	6+6	0.800AT
D2202	115+115	9+9	0.500AT
D2203	115+115	12+12	0.400AT
D2204	115+115	15+15	0.315AT
D2205	115+115	18+18	0.250AT

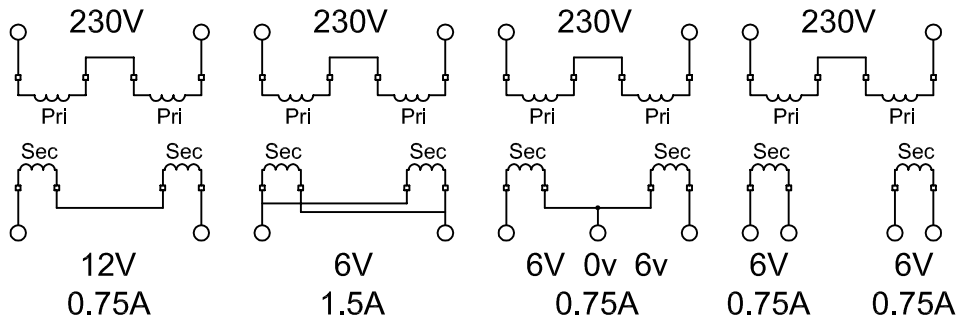
Please see sheet 2 for outline drawing and connection info.

PRODUCT DATASHEET

9VA LOW PROFILE



Connection Diagrams for D2201 - 230V supply



Connection Diagrams for D2201 - 115V supply

