

PRODUCT DATASHEET

6VA LOW PROFILE ENCAPSULATED TRANSFORMER



Complies with: **EN60950 UL506 cUL506 & CSA 22.2**

CE Marked

Dual 115V Primaries

Comprehensive choice of secondary voltages

5KV Isolation between primary and secondary windings.

UL94-V0 Vacuum Encapsulated Construction

Suitable for flow soldering

Identical footprint from 2VA to 9VA

Weight	0.180	Kg	
Typical Regulation	24	%	
Frequency	50/60	Hz	
Max Ambient	40	°C	
Bobbin Material	UL94-V0	"B" 130 °C	

Part No	Primary	Secondary	Reccomended Secondary Fuse
D2032	115+115	6+6	0.500AT
D2177	115+115	8+8	0.400AT
D2033	115+115	9+9	0.315AT
D2034	115+115	12+12	0.250AT
D2035	115+115	15+15	0.200AT
D2091	115+115	18+18	0.160AT
D2210	115+115	24+24	0.125AT

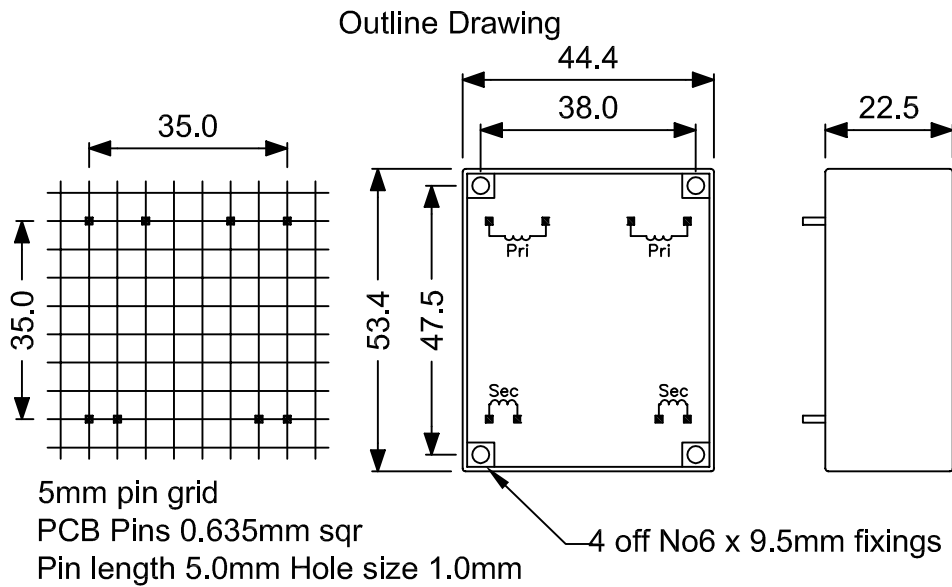
Please see sheet 2 for outline drawing and connection info.

Dagnall Electronics Ltd
 Tel : +44 (0)117 230 2240
sales@dagnall.co.uk
www.dagnall.co.uk

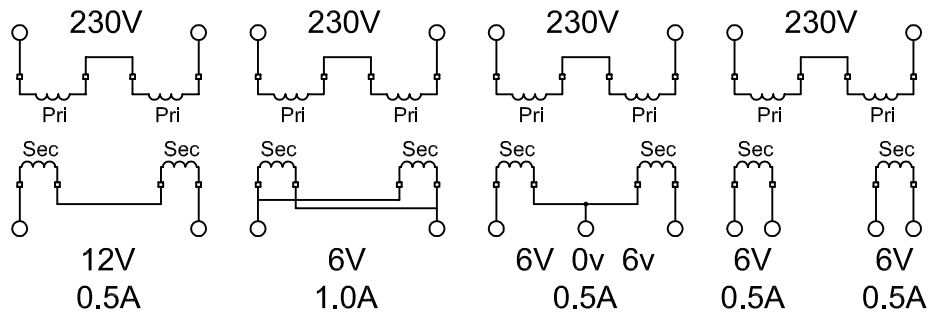
TRX Electronics Ltd
 Tel : (00356)21 663011
info@trxelectronics.com
www.trxelectronics.com

PRODUCT DATASHEET

6VA LOW PROFILE



Connection Diagrams for D2032 - 230V supply



Connection Diagrams for D2032 - 115V supply

