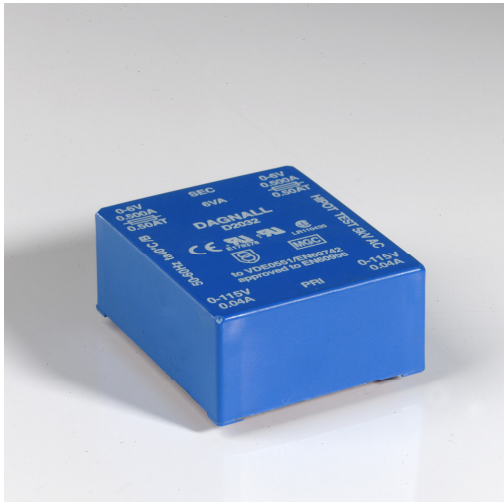


# PRODUCT DATASHEET

## 4VA LOW PROFILE ENCAPSULATED TRANSFORMER



Complies with :EN60950 UL506 cUL506 & CSA 22.2

CE Marked

Dual 115V Primaries

Comprehensive choice of secondary voltages

5KV Isolation between primary and secondary windings.

UL94-V0 Vacuum Encapsulated Construction

Suitable for flow soldering

Identical footprint from 2VA to 9VA

Weight	0.145	Kg	
Typical Regulation	30	%	
Frequency	50/60	Hz	
Max Ambient	40	°C	
Bobbin Material	UL94-V0	"B" 130°C	

Part No	Primary	Secondary	Secondary Fuse
D2088	115+115	6+6	0.315AT
D2089	115+115	9+9	0.200AT
D2090	115+115	12+12	0.160AT
D2796	115+115	18+18	0.125AT
D2797	115+115	24+24	0.080AT

Please see sheet 2 for outline drawing and connection info.

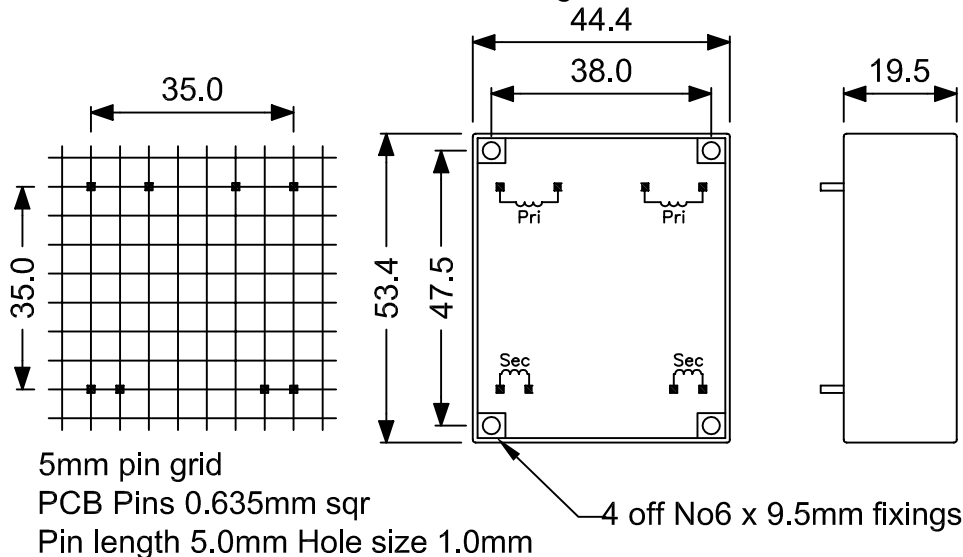
Dagnall Electronics Ltd  
 Tel : +44 (0)117 230 2240  
[sales@dagnall.co.uk](mailto:sales@dagnall.co.uk)  
[www.dagnall.co.uk](http://www.dagnall.co.uk)

TRX Electronics Ltd  
 Tel : (00356)21 663011  
[info@trxelectronics.com](mailto:info@trxelectronics.com)  
[www.trxelectronics.com](http://www.trxelectronics.com)

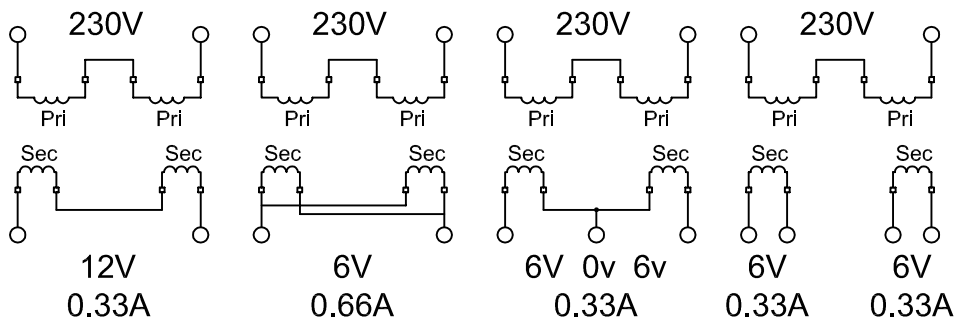
## PRODUCT DATASHEET

### 4VA LOW PROFILE

Outline Drawing



#### Connection Diagrams for D2088 - 230V supply



#### Connection Diagrams for D2088 - 115V supply

