

PRODUCT DATASHEET

2VA LOW PROFILE ENCAPSULATED TRANSFORMER



Complies With :EN60950 UL506 cUL506 & CSA 22.2

CE Marked

Dual 115V Primaries

Comprehensive choice of secondary voltages

5KV Isolation between primary and secondary windings.

UL94-V0 Vacuum Encapsulated Construction

Suitable for flow soldering

Identical footprint from 2VA to 9VA

Weight	0.120	Kg	
Typical Regulation	22	%	
Frequency	50/60	Hz	
Max Ambient	40	° C	
Bobbin Material	UL94-V0	"B" 130 ° C	

Part No	Primary	Secondary	Reccomended Secondary Fuse
D2085	115+115	6+6	0.160AT
D2086	115+115	9+9	0.100AT
D2087	115+115	12+12	0.080AT

Please see sheet 2 for outline drawing and connection info.

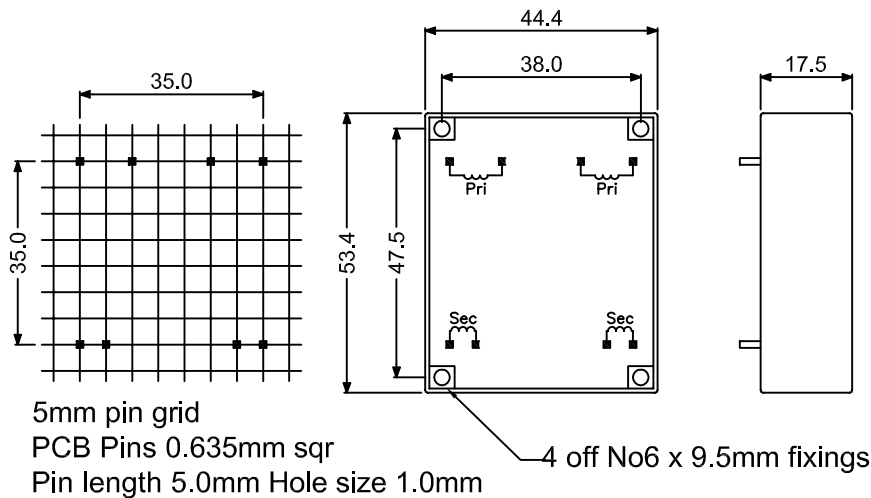
Dagnall Electronics Ltd
 Tel : +44 (0)117 230 2240
sales@dagnall.co.uk
www.dagnall.co.uk

TRX Electronics Ltd
 Tel : (00356)21 663011
info@trxelectronics.com
www.trxelectronics.com

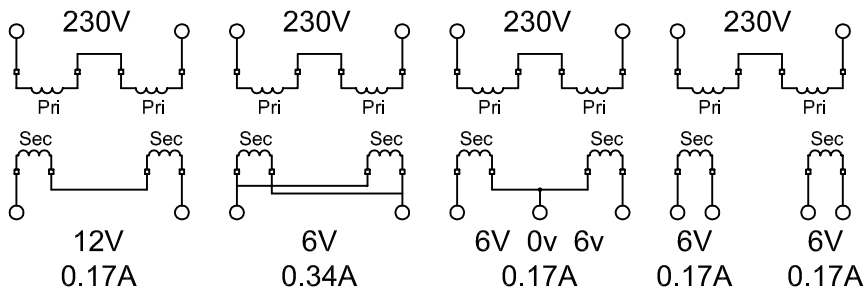
PRODUCT DATASHEET

2VA LOW PROFILE

Outline Drawing



Connection Diagrams for D2085 - 230V supply



Connection Diagrams for D2085 - 115V supply

