

# PRODUCT DATASHEET

## 7.5VA SHORT CIRCUIT PROOF TRANSFORMER



Complies with **EN60950**

Short circuit proof via internal PTC

CE Marked

Single 230V Primary

Comprehensive choice of secondary voltages

UL94-V0 Vacuum Encapsulated Construction

Suitable for flow soldering

Weight	0.28	Kg
Typical Regulation	22	%
Frequency	50/60	Hz
Max Ambient	40	°C
Bobbin Material	UL94-V0 Class "B" 130	

Part No	Primary	Secondary	Reccomended Secondary Fuse
D2186	230	6+6	Not Required, Short-Circuit Proof Design
D2187	230	9+9	
D2188	230	12+12	
D2189	230	15+15	
D2190	230	18+18	

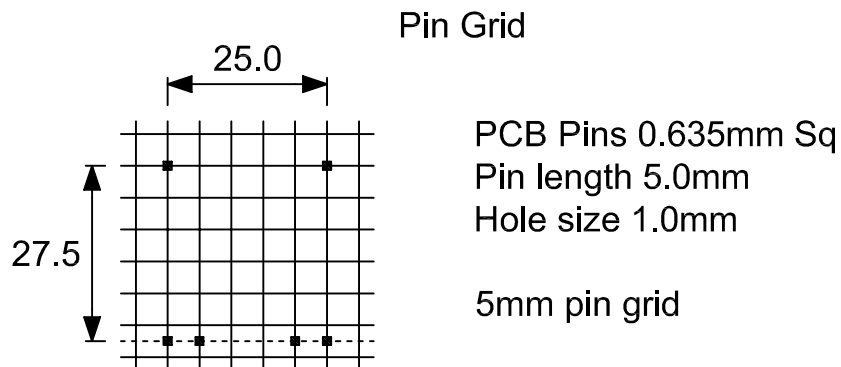
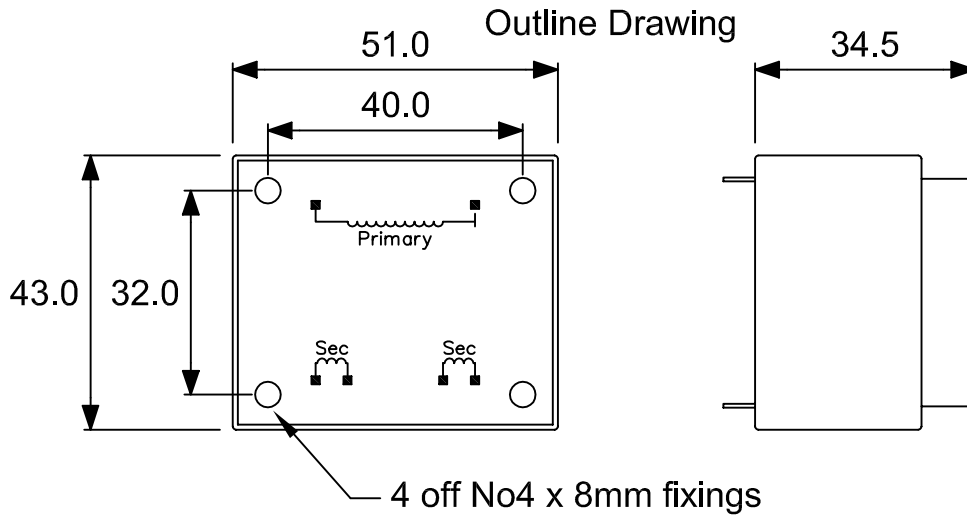
Please see sheet 2 for dimensions, pin outs and connection information.

Dagnall Electronics Ltd  
 Tel : +44 (0)117 230 2240  
[sales@dagnall.co.uk](mailto:sales@dagnall.co.uk)  
[www.dagnall.co.uk](http://www.dagnall.co.uk)

TRX Electronics Ltd  
 Tel : (00356)21 663011  
[info@trxelectronics.com](mailto:info@trxelectronics.com)  
[www.trxelectronics.com](http://www.trxelectronics.com)

**PRODUCT DATASHEET**

**7.5VA SHORT CIRCUIT PROOF TRANSFORMER**



Connection Diagrams for D2186

