

PRODUCT DATASHEET

2.3VA PCB MOUNTED ENCAPSULATED TRANSFORMER



Complies with **EN60950 EN60742 EN61558**

UL506 cUL506 & CSA 22.2

Inherently Short circuit proof

CE Marked

Single 230V Primary

Comprehensive choice of secondary voltages

UL94-V0 Vacuum Encapsulated Construction

Weight	0.095	Kg
Typical Regulation	40	%
Frequency	50/60	Hz
Max Ambient	40	°C
Bobbin Material	UL94-V0 Class "B" 130	

Part No	Primary	Secondary	Reccomended Secondary Fuse
D2017	230	6+6	Not Required, Inherently Short-Circuit Proof Design.
D2018	230	8+8	
D2019	230	9+9	
D2020	230	12+12	
D2021	230	15+15	
D2022	230	24+24	

Please see sheet 2 for dimensions, pin outs and connection information.

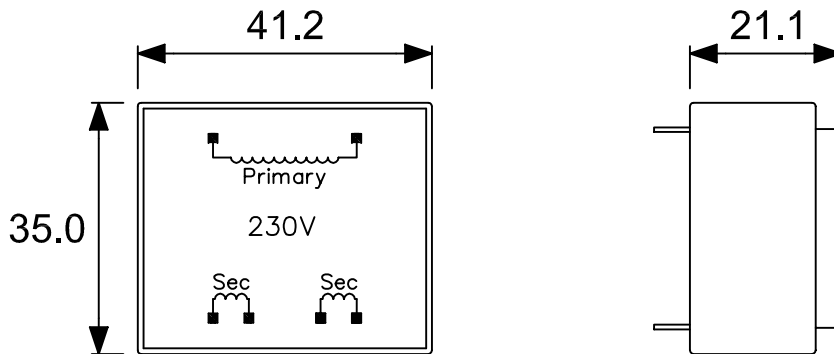
Dagnall Electronics Ltd
 Tel : +44 (0)117 230 2240
sales@dagnall.co.uk
www.dagnall.co.uk

TRX Electronics Ltd
 Tel : (00356)21 663011
info@trxelectronics.com
www.trxelectronics.com

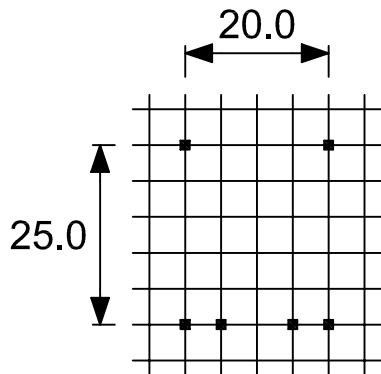
PRODUCT DATASHEET

2.3VA PCB MOUNTED ENCAPSULATED TRANSFORMER

Outline Drawing



Pin Grid



PCB Pins 0.635mm Sq
Pin length 3.0mm
Hole size 1.0mm

5mm pin grid

Connection Diagrams for D2017

